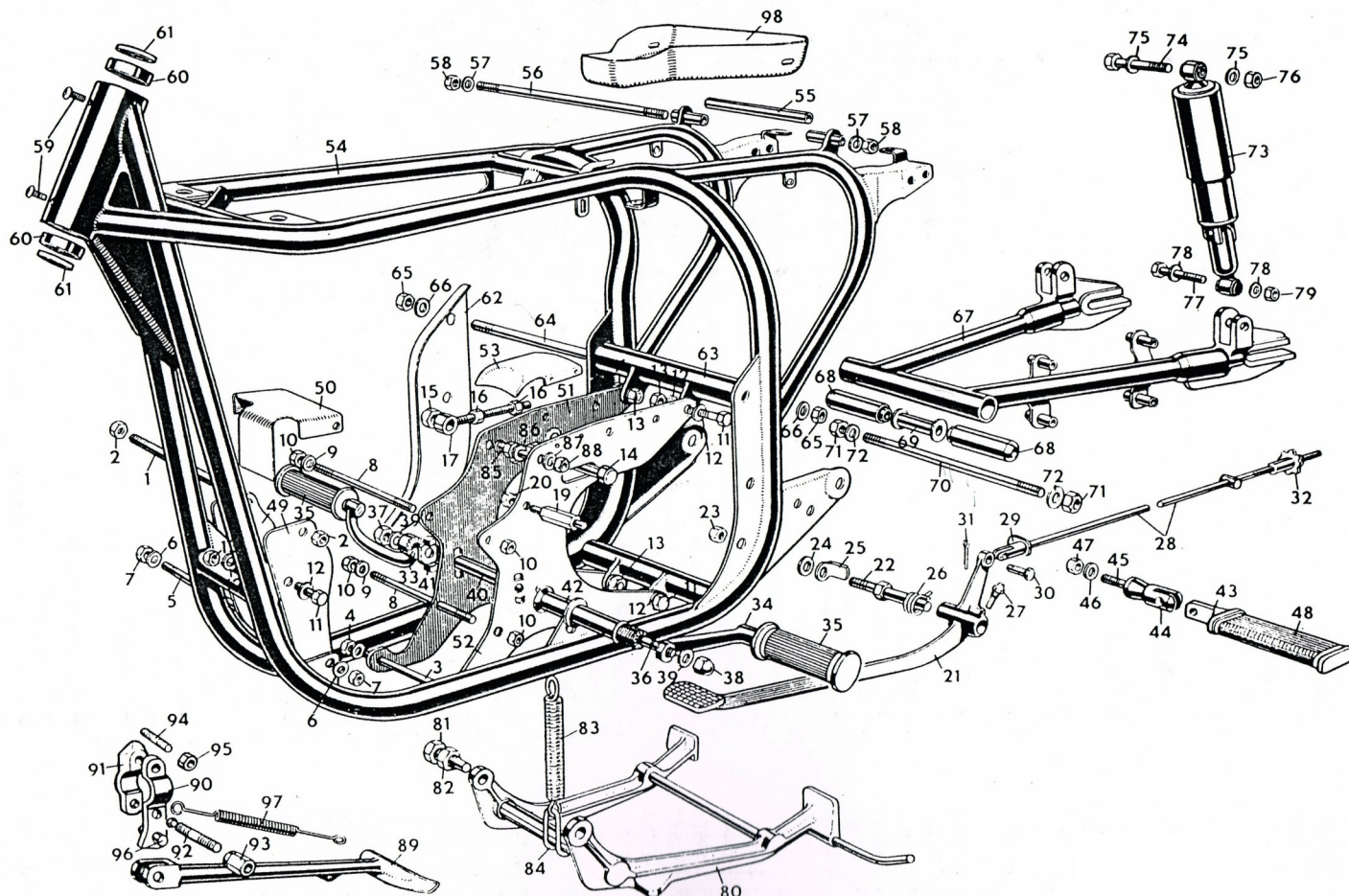




We are the only supplier of Commando & Dominator parts using the original factory drawings. Our products are mostly made in England and to original specification. We also offer Norton Rotary spares, factory service manuals and literature for **NORTON** and **TRIUMPH** motorcycles.

INSIST ON ANDOVER NORTON PARTS PACKAGED WITH OUR A.N. LOGO

NORTON FEATHERBED FRAME (SLIMLINE 1961/1962)

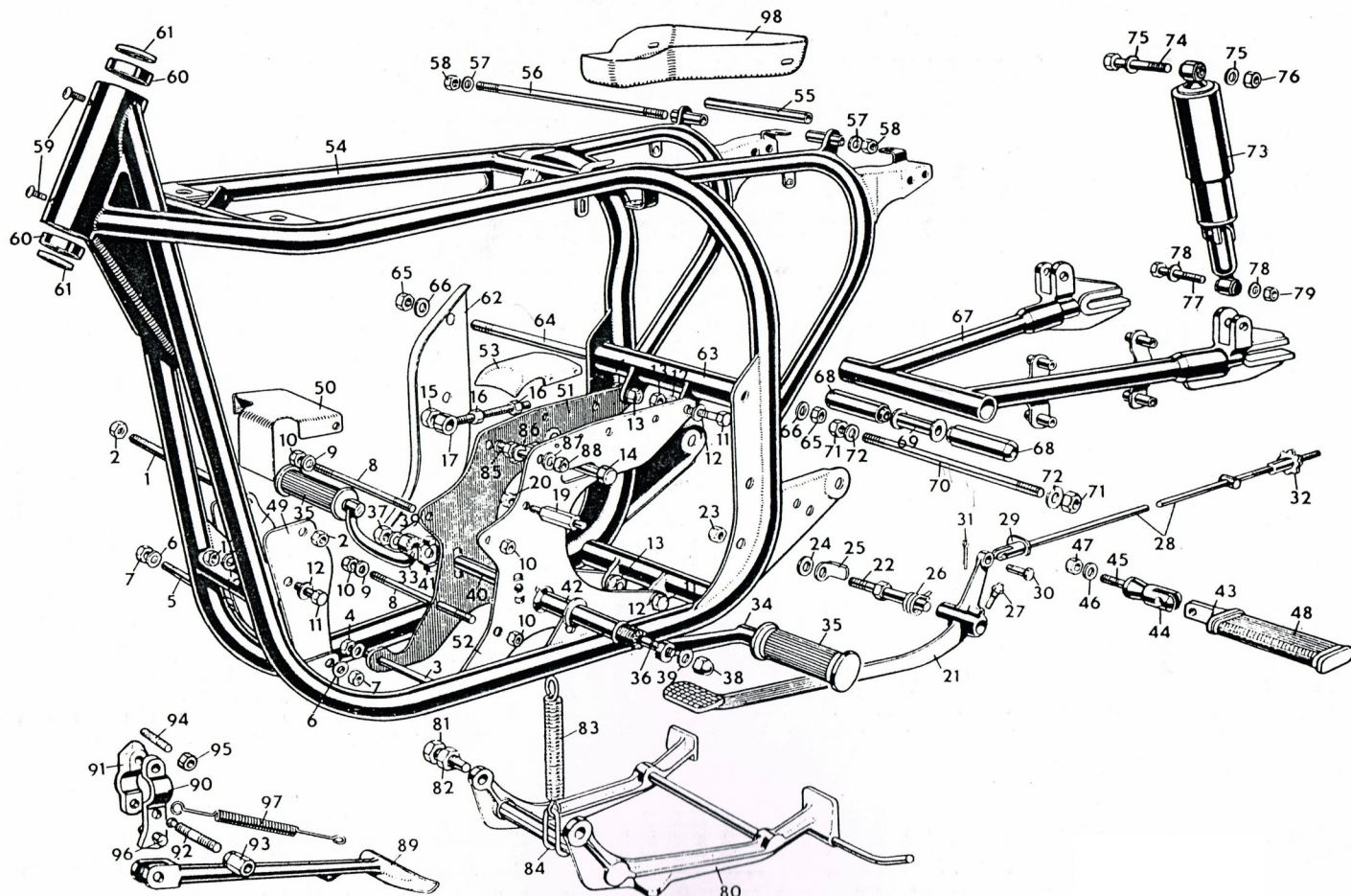





We are the only supplier of Commando & Dominator parts using the original factory drawings. Our products are mostly made in England and to original specification. We also offer Norton Rotary spares, factory service manuals and literature for **NORTON** and **TRIUMPH** motorcycles.

INSIST ON ANDOVER NORTON PARTS PACKAGED WITH OUR A.N. LOGO

NORTON FEATHERBED FRAME (SLIMLINE 1961/1962)



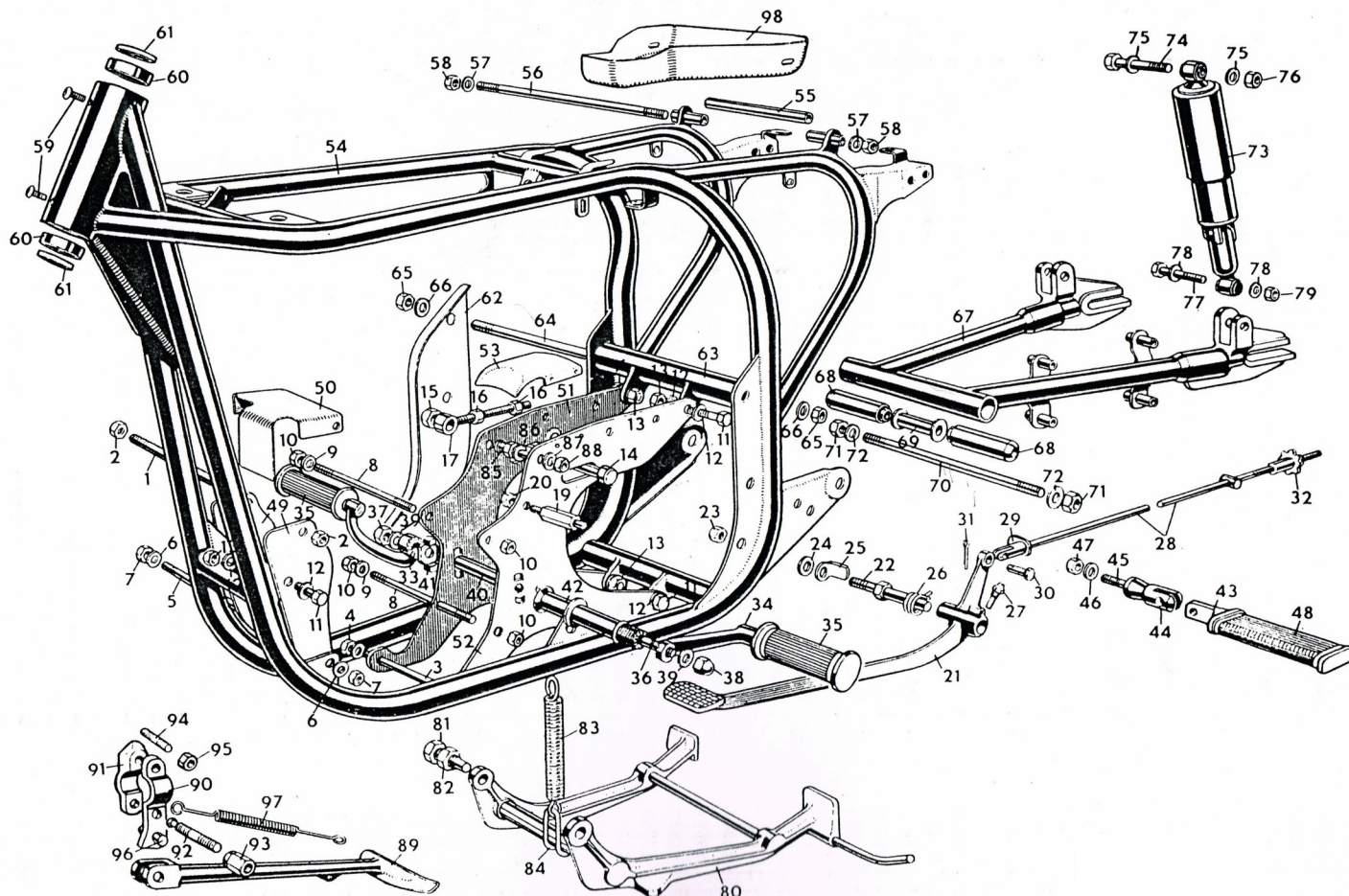
16  E3231 06.7592	17  16997 06.7681	19  20937 NM20937	20  E3223 06.7589	21  19995 Not available 06.7761
22  19996 06.7762		23  E3227 Use 04.1265	24  19997 06.7763	25  19976 06.7758
26  19929 06.7757	27  19978 06.7759	28  NM15819	29  03.3023	30  E3255 06.0552 Use with item 31, 06.0553



We are the only supplier of Commando & Dominator parts using the original factory drawings. Our products are mostly made in England and to original specification. We also offer Norton Rotary spares, factory service manuals and literature for **NORTON** and **TRIUMPH** motorcycles.

INSIST ON ANDOVER NORTON PARTS PACKAGED WITH OUR A.N. LOGO

NORTON FEATHERBED FRAME (SLIMLINE 1961/1962)



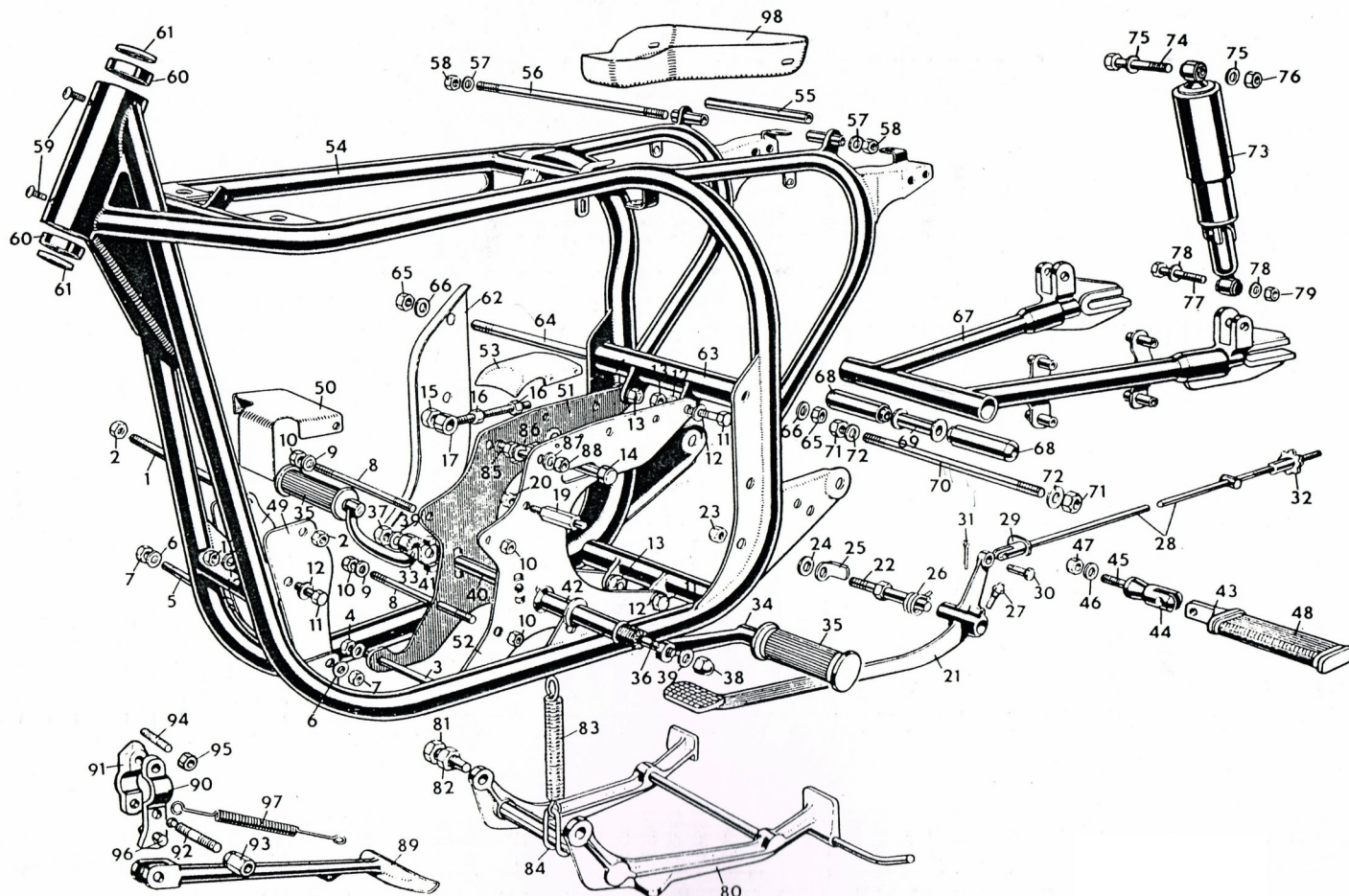
<p>31 17735 06.0553</p> <p>Use with item 30, 06.0552</p>	<p>32 02.2743</p>	<p>33 18772</p> <p>06.7722</p>	<p>34 18149a</p> <p>06.7699</p>	<p>35 19983</p> <p>06.7760</p>
<p>14366 36</p> <p>06.7637</p>	<p>37 E3238</p> <p>06.7593</p>	<p>38 E3220</p> <p>06.7587</p>	<p>39 E5377</p> <p>60.2323</p>	<p>40 15641</p> <p>06.7654</p>
<p>41 18268</p> <p>06.7708</p>	<p>42 20936</p> <p>06.7778</p>	<p>43 18254</p> <p>06.7778</p>	<p>44 NM16244</p>	<p>45 22574</p> <p>Not available</p>



We are the only supplier of Commando & Dominator parts using the original factory drawings. Our products are mostly made in England and to original specification. We also offer Norton Rotary spares, factory service manuals and literature for **NORTON** and **TRIUMPH** motorcycles.

INSIST ON ANDOVER NORTON PARTS PACKAGED WITH OUR A.N. LOGO

NORTON FEATHERBED FRAME (SLIMLINE 1961/1962)



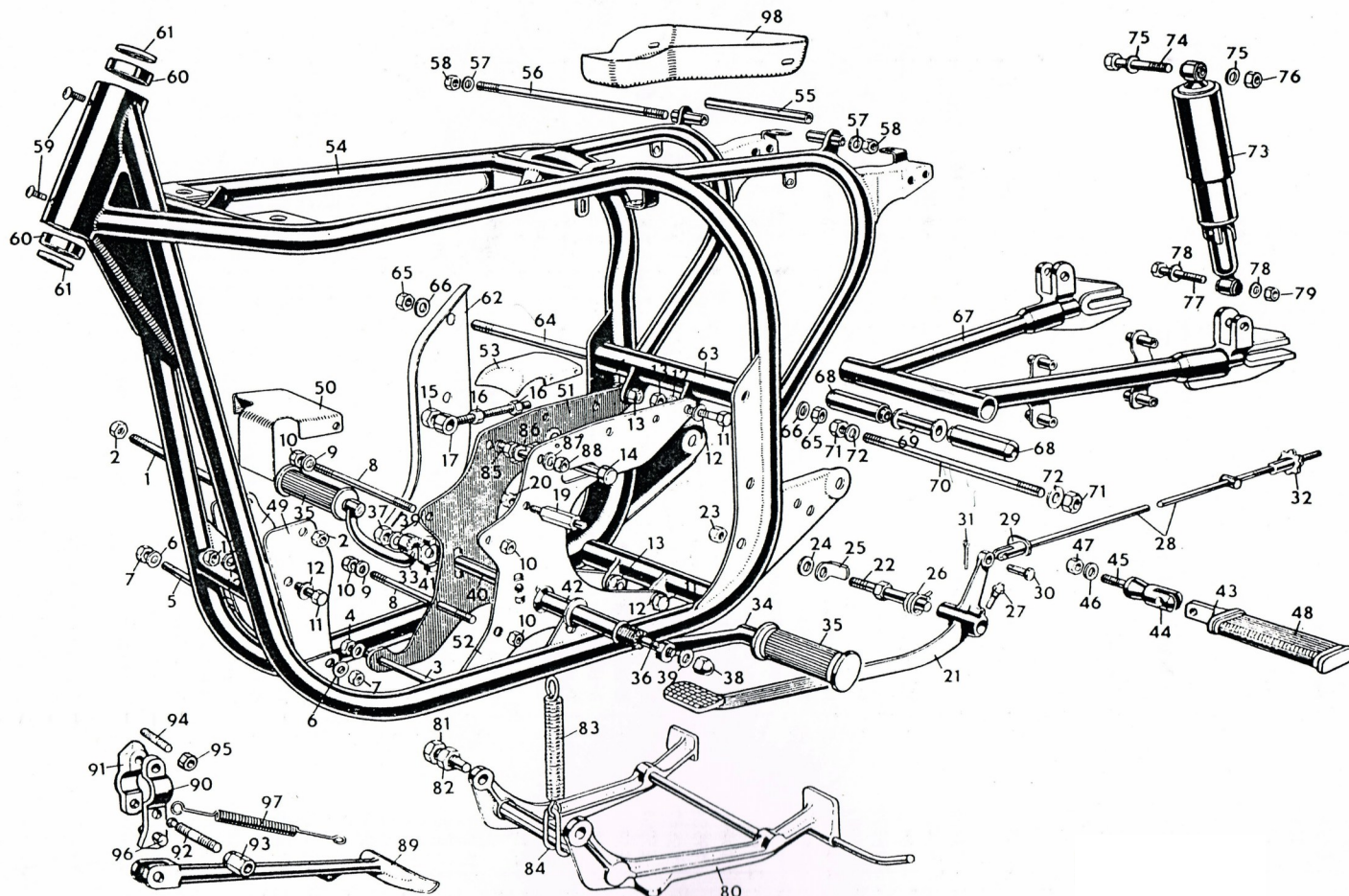
<p>46 E5376</p> <p>60.2322</p>	<p>47 23870</p> <p>Use 00.0003 06.7859</p>	<p>48 16249</p> <p>NM16249</p>	<p>49 NM15621</p> <p>06.7782</p>	<p>50 20999</p> <p>06.7782</p>
<p>51 NM19179</p> <p>06.7783</p>	<p>52 NM20700</p> <p>06.7783</p>	<p>53 21031</p> <p>Cover plate (needs to clear c/stand spring) Not available</p>	<p>54 NM20060</p> <p>WIDELINE FRAME</p>	<p>55 NM21099</p> <p>06.7783</p>
<p>56 21134</p> <p>06.7783</p>	<p>57 E5376</p> <p>60.2322</p>	<p>58 E3224A</p> <p>06.7590</p>	<p>59 23573</p> <p>Fixing screws for cover Not available</p>	<p>60 18263</p> <p>03.0205</p>



We are the only supplier of Commando & Dominator parts using the original factory drawings. Our products are mostly made in England and to original specification. We also offer Norton Rotary spares, factory service manuals and literature for **NORTON** and **TRIUMPH** motorcycles.

INSIST ON ANDOVER NORTON PARTS PACKAGED WITH OUR A.N. LOGO

NORTON FEATHERBED FRAME (SLIMLINE 1961/1962)

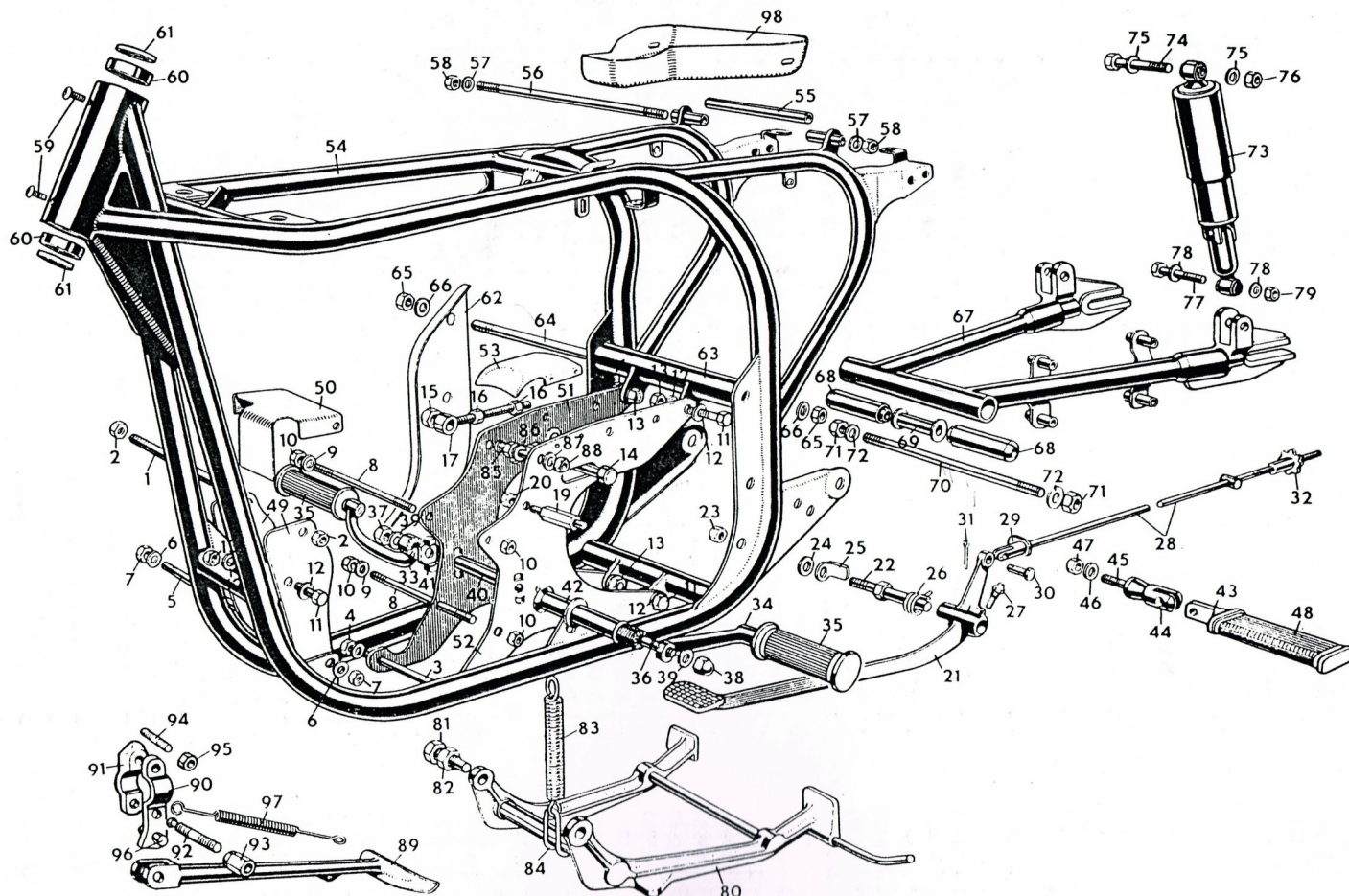




We are the only supplier of Commando & Dominator parts using the original factory drawings. Our products are mostly made in England and to original specification. We also offer Norton Rotary spares, factory service manuals and literature for **NORTON** and **TRIUMPH** motorcycles.

INSIST ON ANDOVER NORTON PARTS PACKAGED WITH OUR A.N. LOGO

NORTON FEATHERBED FRAME (SLIMLINE 1961/1962)



<p>76 E3224</p> <p>06.7590</p>	<p>77 22655</p> <p>06.7809</p>	<p>78 11796</p> <p>06.7622</p>	<p>79 E3223</p> <p>06.7589</p>	<p>80 17175</p> <p>Centre stand Not available</p> <p>06.7683</p>
<p>81 16763</p> <p>06.7672</p>	<p>82 16764</p> <p>06.7673</p>	<p>83 16411</p> <p>06.7866</p>	<p>84 23494</p> <p>NM24078 06.7867</p>	<p>85 19255</p> <p>Use 06.7868</p>
<p>86 E5380</p> <p>60.2321</p>	<p>87 E5456</p> <p>60.2348</p>	<p>88 E3223</p> <p>06.7589</p>	<p>89 18750</p> <p>03.4070</p>	<p>90 18275B</p> <p>NM25175</p>



We are the only supplier of Commando & Dominator parts using the original factory drawings. Our products are mostly made in England and to original specification. We also offer Norton Rotary spares, factory service manuals and literature for **NORTON** and **TRIUMPH** motorcycles.

INSIST ON ANDOVER NORTON PARTS PACKAGED WITH OUR A.N. LOGO

NORTON FEATHERBED FRAME (SLIMLINE 1961/1962)

