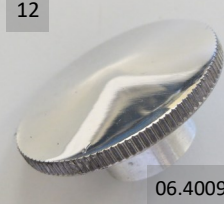







We are the only supplier of Commando & Dominator parts using the original factory drawings. Our products are mostly made in England and to original specification. We also offer Norton Rotary spares, factory service manuals and literature for **NORTON** and **TRIUMPH** motorcycles.

INSIST ON ANDOVER NORTON PARTS PACKAGED WITH OUR A.N. LOGO

NORTON COMMANDO FRAME, SWINGING ARM & REAR SUSPENSION (1971 to 1974)

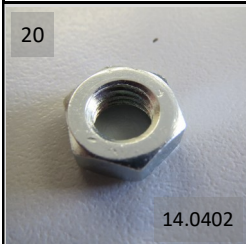
<p>1</p> <p>Use item 1A</p> <p>06.3079</p>	<p>1A</p> <p>06.5404</p> 	<p>2</p>  <p>06.3247</p>	<p>3</p>  <p>06.1287</p>	<p>4</p> <p>06.3977</p> 
<p>5</p>  <p>06.2489</p>	<p>For year specific parts see page 6</p>			<p>11</p>  <p>06.7612</p>
<p>6</p>  <p>06.1341</p>				<p>12</p>  <p>06.4009</p>
<p>7</p>  <p>06.1204</p>				<p>13</p>  <p>06.0695</p>
<p>8</p>  <p>14.0102</p>				<p>14</p>  <p>06.4539</p>
<p>9</p>  <p>60.2320</p>				<p>15</p>  <p>06.0446</p>
<p>10</p>  <p>14.0301</p>				<p>16</p>  <p>06.0447</p>



We are the only supplier of Commando & Dominator parts using the original factory drawings. Our products are mostly made in England and to original specification. We also offer Norton Rotary spares, factory service manuals and literature for **NORTON** and **TRIUMPH** motorcycles.

INSIST ON ANDOVER NORTON PARTS PACKAGED WITH OUR A.N. LOGO

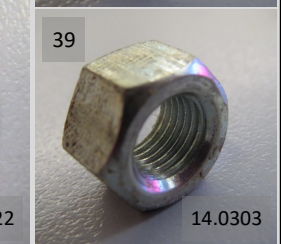
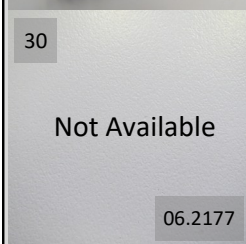
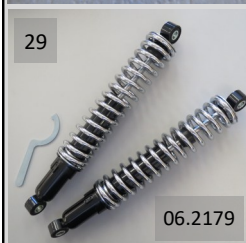
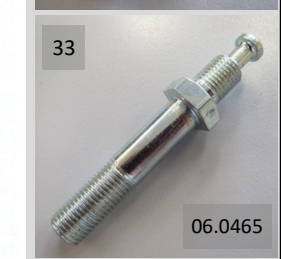
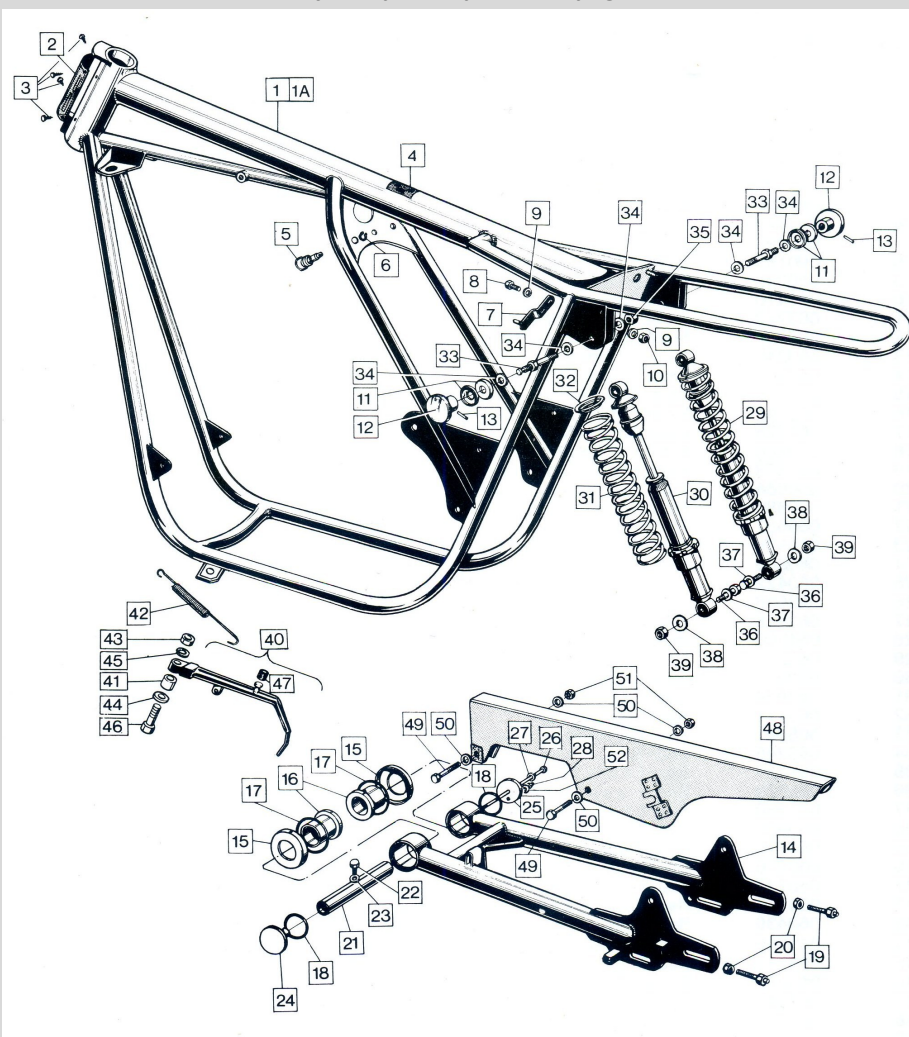
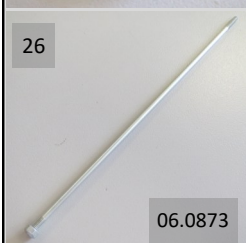
NORTON COMMANDO FRAME, SWINGING ARM & REAR SUSPENSION (1971 to 1974)



For year specific parts see page 6

Not Available

06.2178

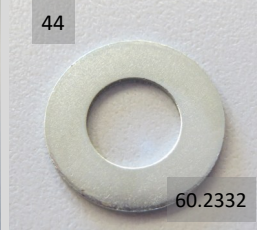




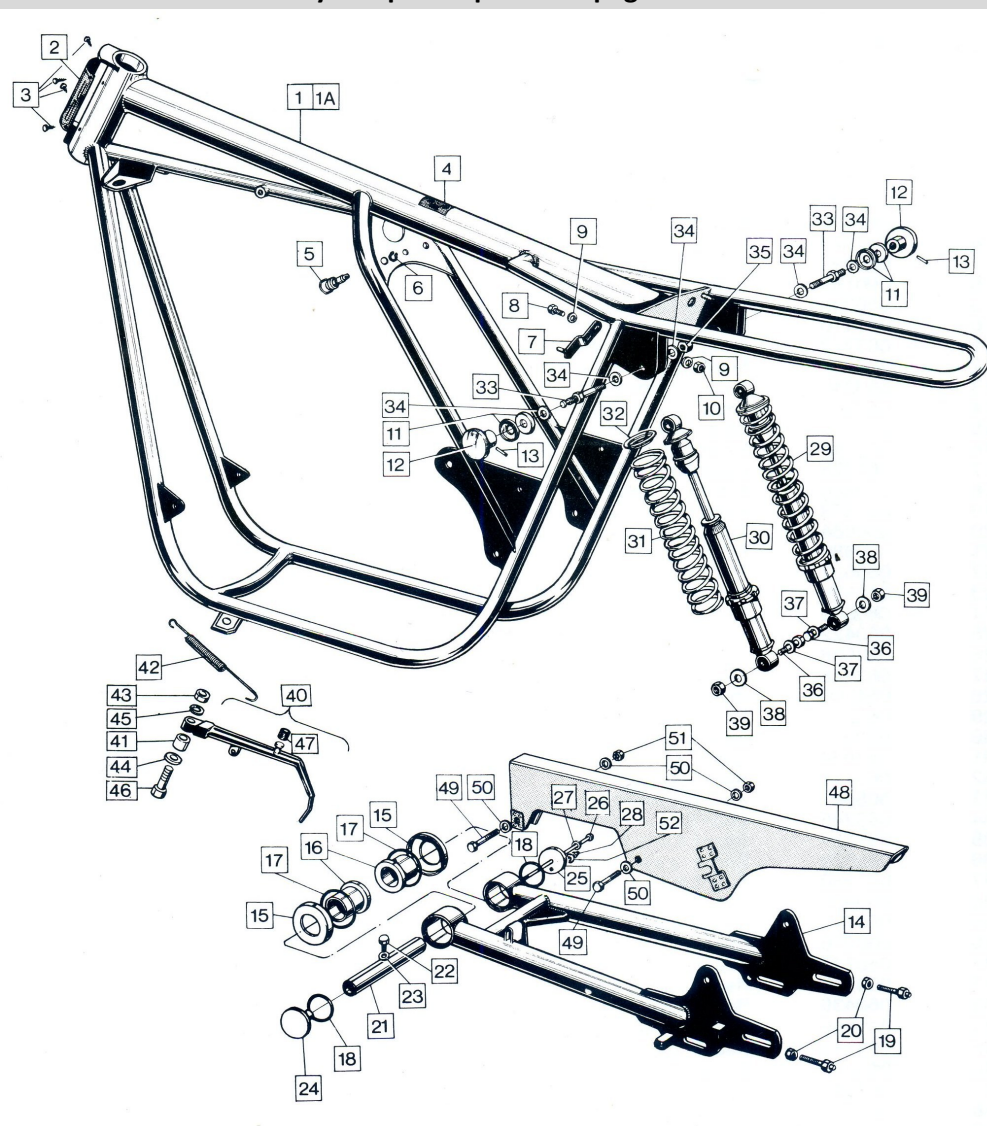
We are the only supplier of Commando & Dominator parts using the original factory drawings. Our products are mostly made in England and to original specification. We also offer Norton Rotary spares, factory service manuals and literature for **NORTON** and **TRIUMPH** motorcycles.

INSIST ON ANDOVER NORTON PARTS PACKAGED WITH OUR A.N. LOGO

NORTON COMMANDO FRAME, SWINGING ARM & REAR SUSPENSION (1971 to 1974)



For year specific parts see page 6





We are the only supplier of Commando & Dominator parts using the original factory drawings. Our products are mostly made in England and to original specification. We also offer Norton Rotary spares, factory service manuals and literature for **NORTON** and **TRIUMPH** motorcycles.

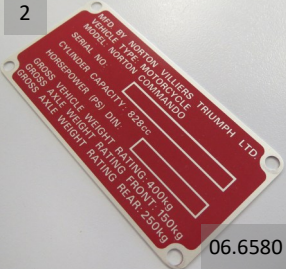
INSIST ON GENUINE FACTORY PARTS PACKAGED WITH THIS LOGO



NORTON COMMANDO FRAME, FITTINGS & STANDS (1975 to 1978)



06.5632



2

06.6580



2A

06.6213



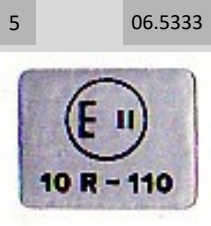
3

06.1287



4

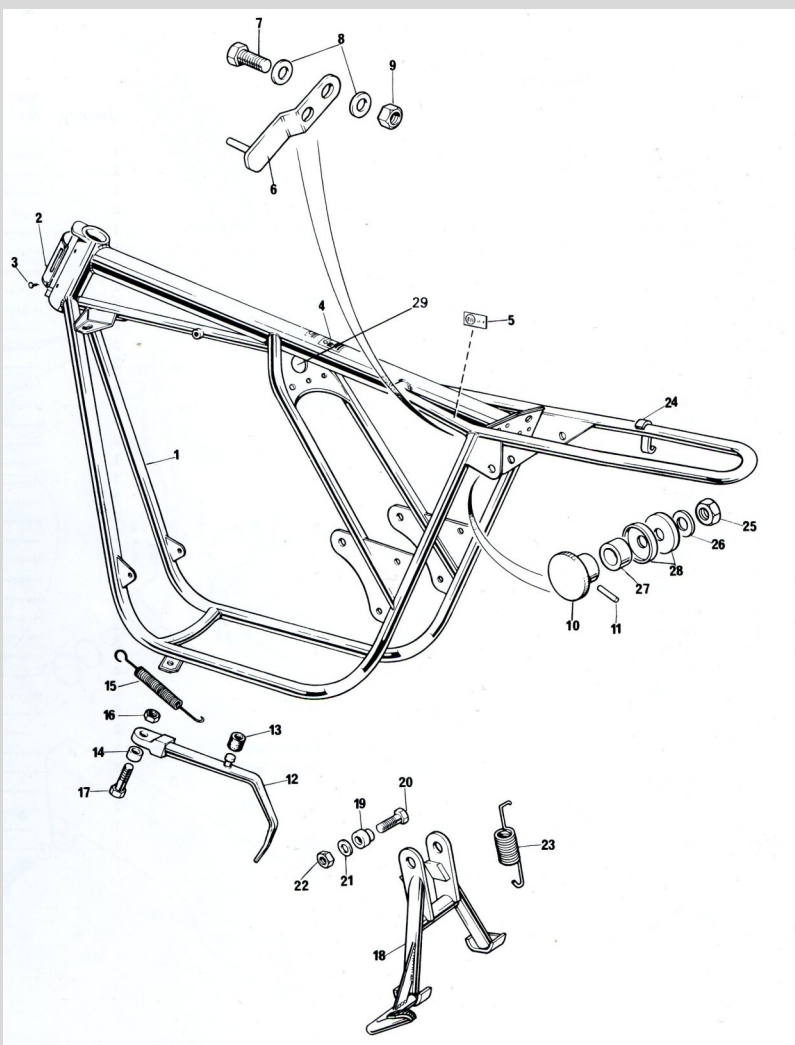
06.6611



5

06.5333

For year specific parts see page 6



6

06.1204



7

14.0102



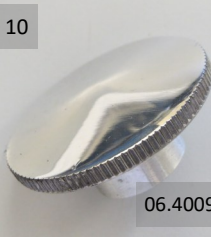
8

60.2320



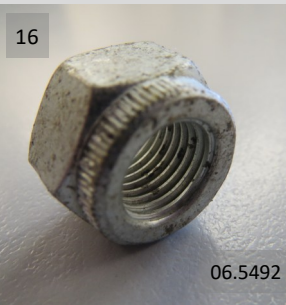
9

14.0301



10

06.4009



16

06.5492



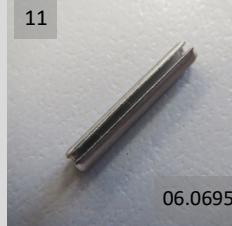
17

06.5436



18

06.4031



11

06.0695



12

06.5490



13

06.3324



14

06.5491



15

06.2592



19

06.4057



We are the only supplier of Commando & Dominator parts using the original factory drawings. Our products are mostly made in England and to original specification. We also offer Norton Rotary spares, factory service manuals and literature for **NORTON** and **TRIUMPH** motorcycles.

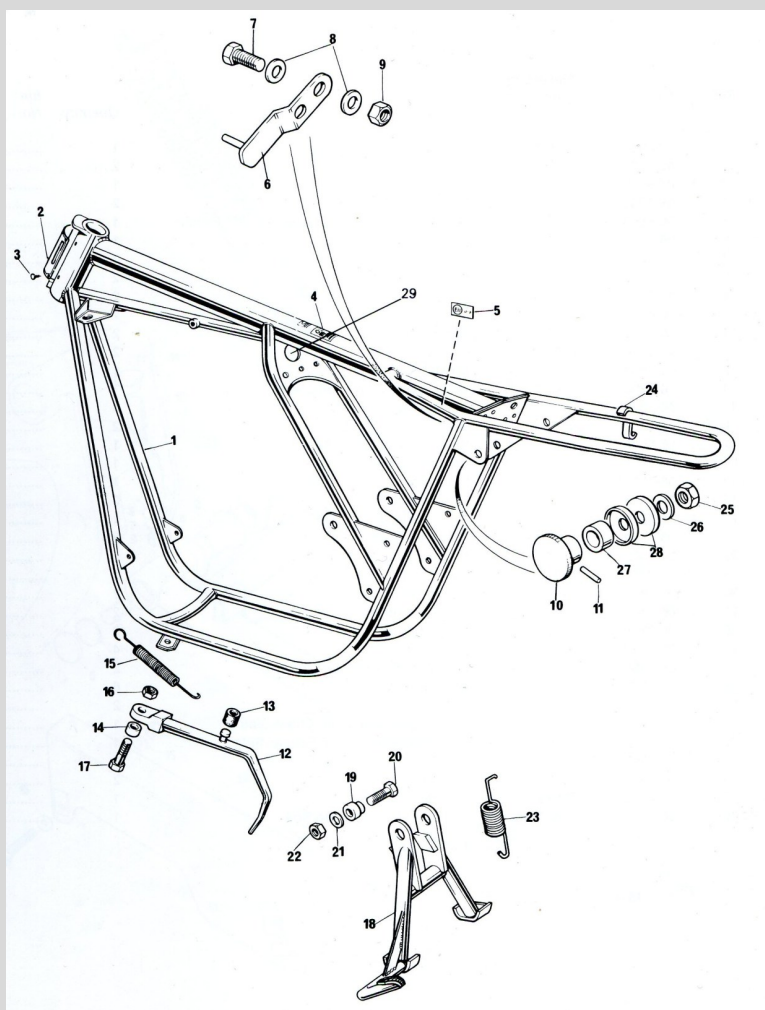
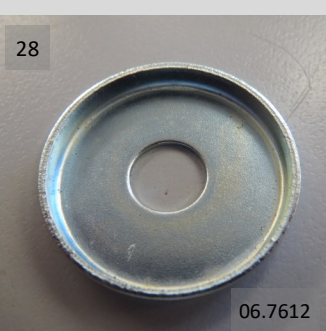
INSIST ON GENUINE FACTORY PARTS PACKAGED WITH THIS LOGO



NORTON COMMANDO FRAME, FITTINGS & STANDS (1975 to 1978)



For year specific parts see page 6





We are the only supplier of Commando & Dominator parts using the original factory drawings. Our products are mostly made in England and to original specification. We also offer Norton Rotary spares, factory service manuals and literature for **NORTON** and **TRIUMPH** motorcycles.

INSIST ON GENUINE FACTORY PARTS PACKAGED WITH THIS LOGO



NORTON COMMANDO FRAME, FITTINGS & STANDS (Year specific parts)

1970 & 1971



06.1441

1970 & 1971



Use 06.6357

06.2001

1970 & 1971



Side stand spring

06.2515

1970 & 1971



Side stand circlip

01.9512

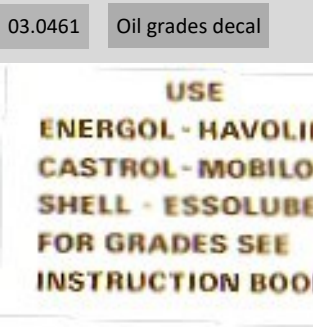
1970 & 1971



Side stand mounting.
Weld to frame

06.3049

1970 to 1972



03.0461

Oil grades decal

1970 to 1972



Use 06.4009

Seat knob

06.0647

1970 to 1972



06.0441

1974



06.4837

Jan. 1974 Mk2 & Mk2a



06.5818

1974

06.5333

E. Approval decal

