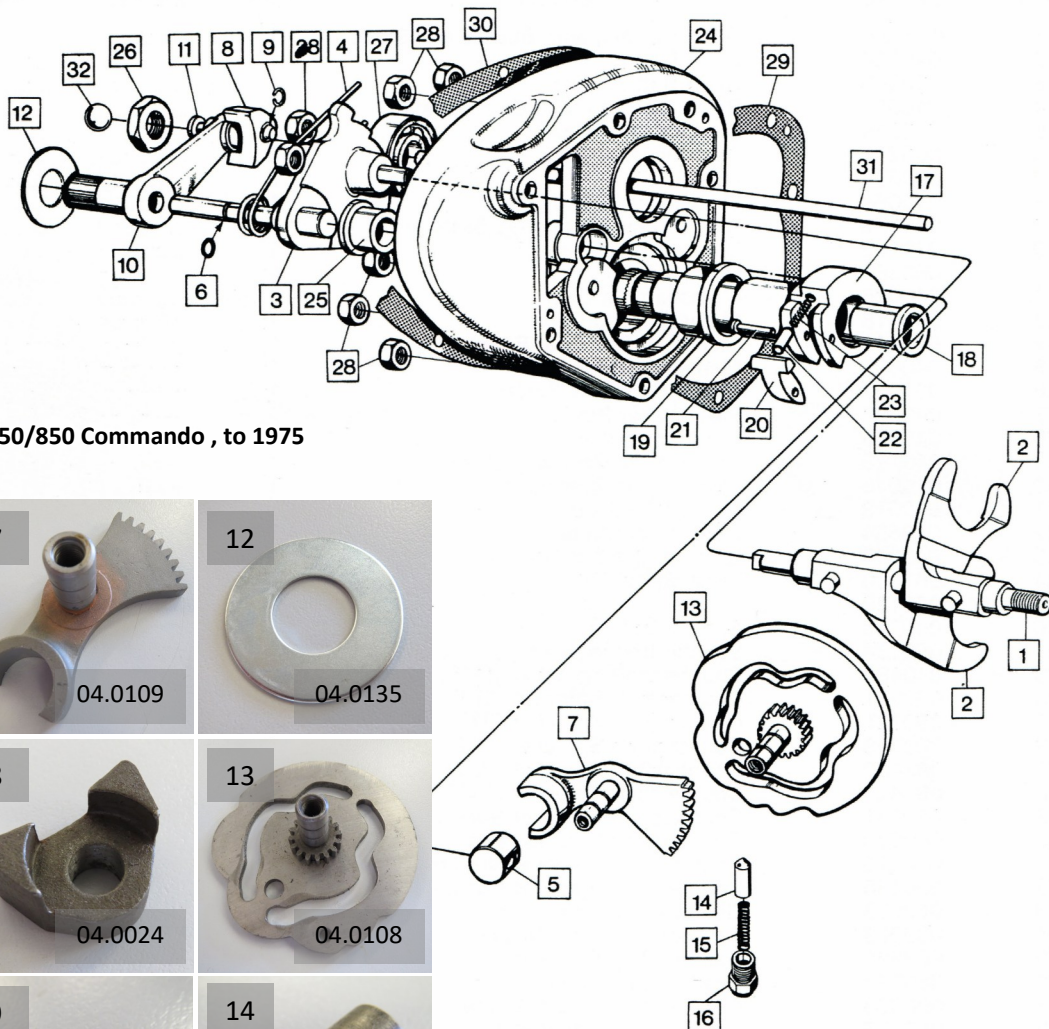




We are the only supplier of Commando & Dominator parts using the original factory drawings. Our products are mostly made in England and to original specification. We also offer Norton Rotary spares, factory service manuals and literature for **NORTON** and **TRIUMPH** motorcycles.

### INSIST ON ANDOVER NORTON PARTS PACKAGED WITH OUR A.N. LOGO

#### NORTON COMMANDO INNER GEARBOX COVER (PRE - 850 MK3)



750/850 Commando , to 1975



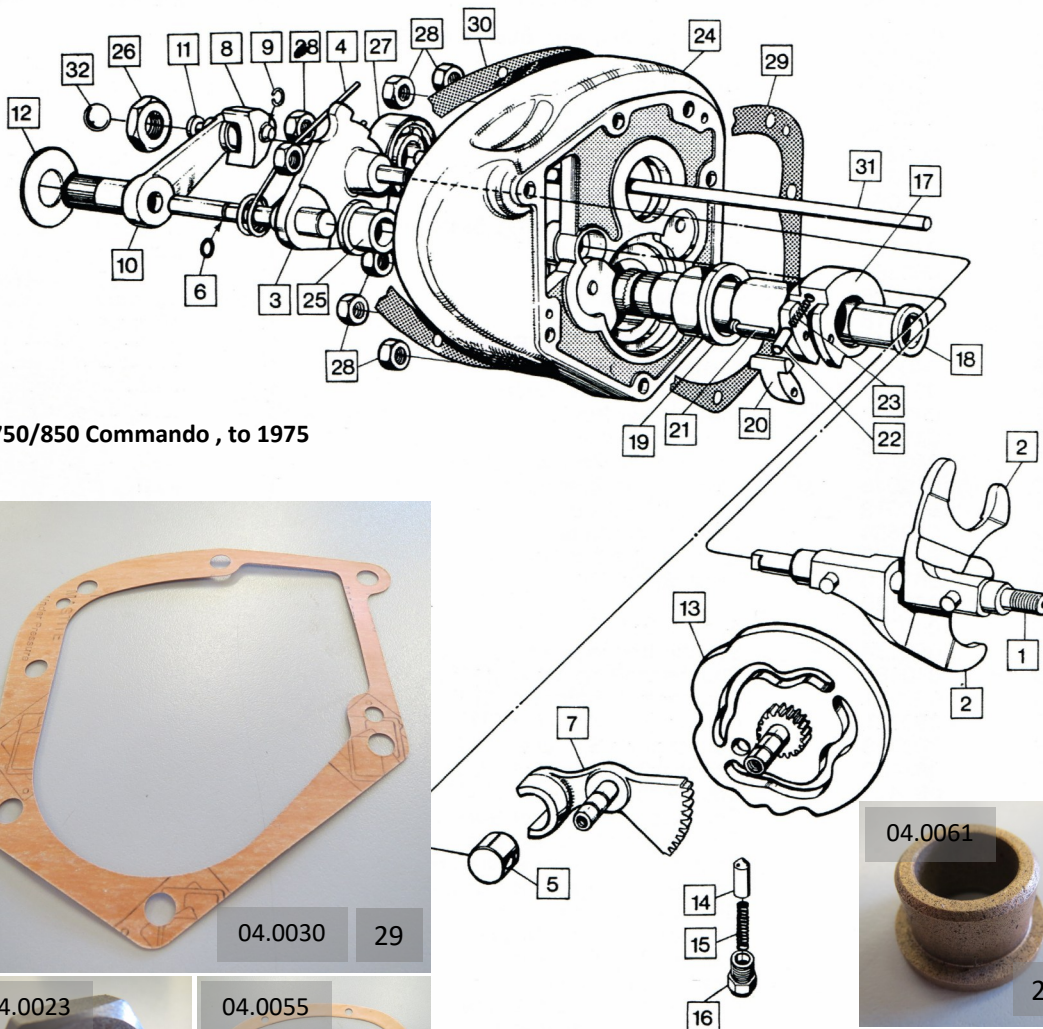
NOW BUY GENUINE NORTON FACTORY SPARES FROM OUR SALES COUNTER IN ANDOVER, HAMPSHIRE



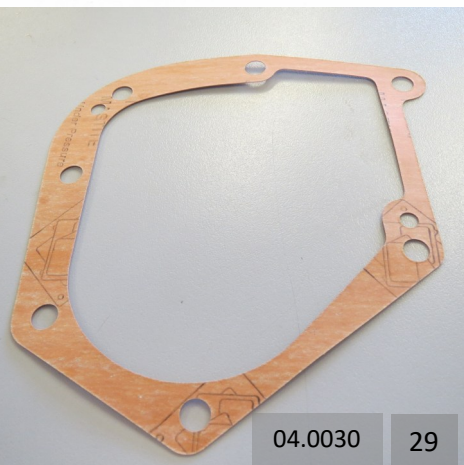
We are the only supplier of Commando & Dominator parts using the original factory drawings. Our products are mostly made in England and to original specification. We also offer Norton Rotary spares, factory service manuals and literature for **NORTON** and **TRIUMPH** motorcycles.

## INSIST ON ANDOVER NORTON PARTS PACKAGED WITH OUR A.N. LOGO

### NORTON COMMANDO INNER GEARBOX COVER (PRE - 850 MK3)



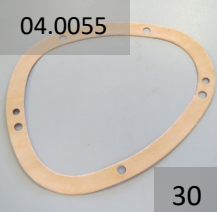
750/850 Commando , to 1975



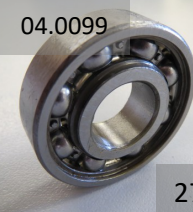
04.0030 29



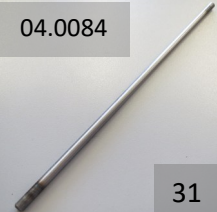
04.0023 26



04.0055 30



04.0099 27



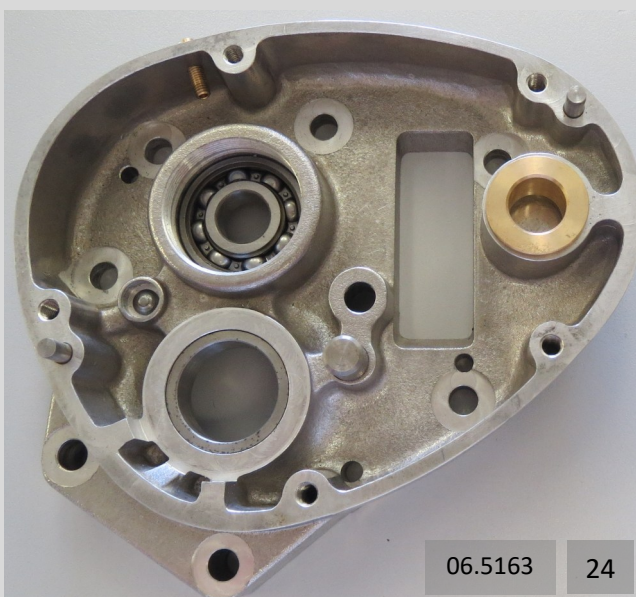
04.0084 31



00.0004 28



04.0031 32



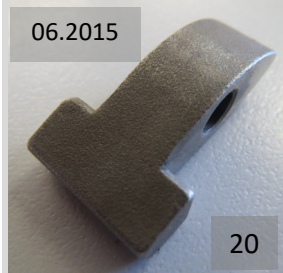
06.5163 24



04.0146 18



04.0473 19



06.2015 20



04.0033 21



04.0069 22



04.0044 23



04.0061 25

BUY SPARES FROM OUR SALES COUNTER IN ANDOVER, HAMPSHIRE



We are the only supplier of Commando & Dominator parts using the original factory drawings. Our products are mostly made in England and to original specification. We also offer Norton Rotary spares, factory service manuals and literature for **NORTON** and **TRIUMPH** motorcycles.

## INSIST ON ANDOVER NORTON PARTS PACKAGED WITH OUR A.N. LOGO

### NORTON COMMANDO INNER GEARBOX COVER (850 MK3)

850 MK3, 1975 onwards

06.5210	06.5184
04.0473	06.5183
00.0577	06.5199
04.0099	00.0004
60.2321	04.0030
04.0055	04.0023
04.0084	04.0031
04.0035	04.0022
06.5212	

SEE OUR WEBSITE FOR PRICES



We are the only supplier of Commando & Dominator parts using the original factory drawings. Our products are mostly made in England and to original specification. We also offer Norton Rotary spares, factory service manuals and literature for **NORTON** and **TRIUMPH** motorcycles.

## INSIST ON ANDOVER NORTON PARTS PACKAGED WITH OUR A.N. LOGO

### NORTON COMMANDO INNER GEARBOX COVER (850 MK3)

850 MK3, 1975 onwards

18		04.0038	20		06.5150
24		06.5216	21		06.5148
25		04.0067	22		06.5149
26		04.0024	23		01.9512
27		04.0049	28		06.5504
29		04.0034	30		04.0442
31		04.0036	32		06.6169
33		04.0146	34		06.2015
35		04.0033	36		04.0069