




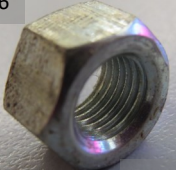
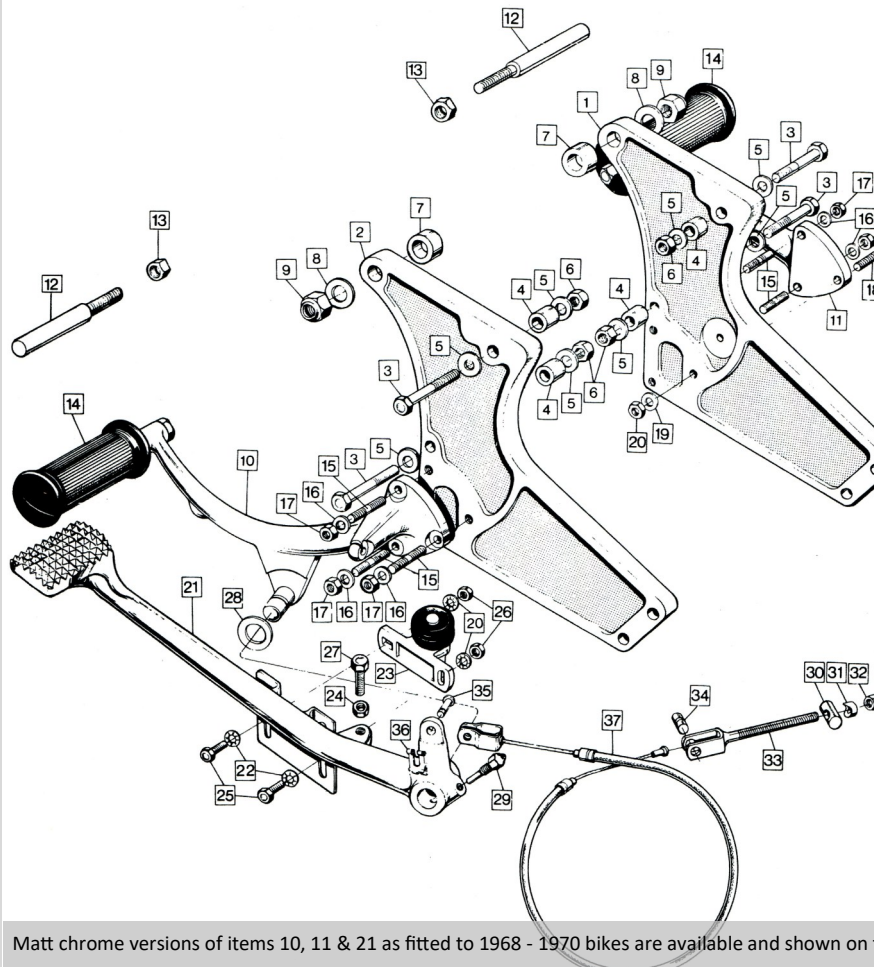


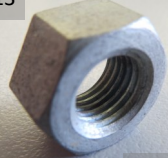












We are the only supplier of Commando & Dominator parts using the original factory drawings. Our products are mostly made in England and to original specification. We also offer Norton Rotary spares, factory service manuals and literature for **NORTON** and **TRIUMPH** motorcycles.

INSIST ON ANDOVER NORTON PARTS PACKAGED WITH OUR A.N.LOGO

NORTON COMMANDO RIDER FOOTPEGS & REAR BRAKE (to 1974)







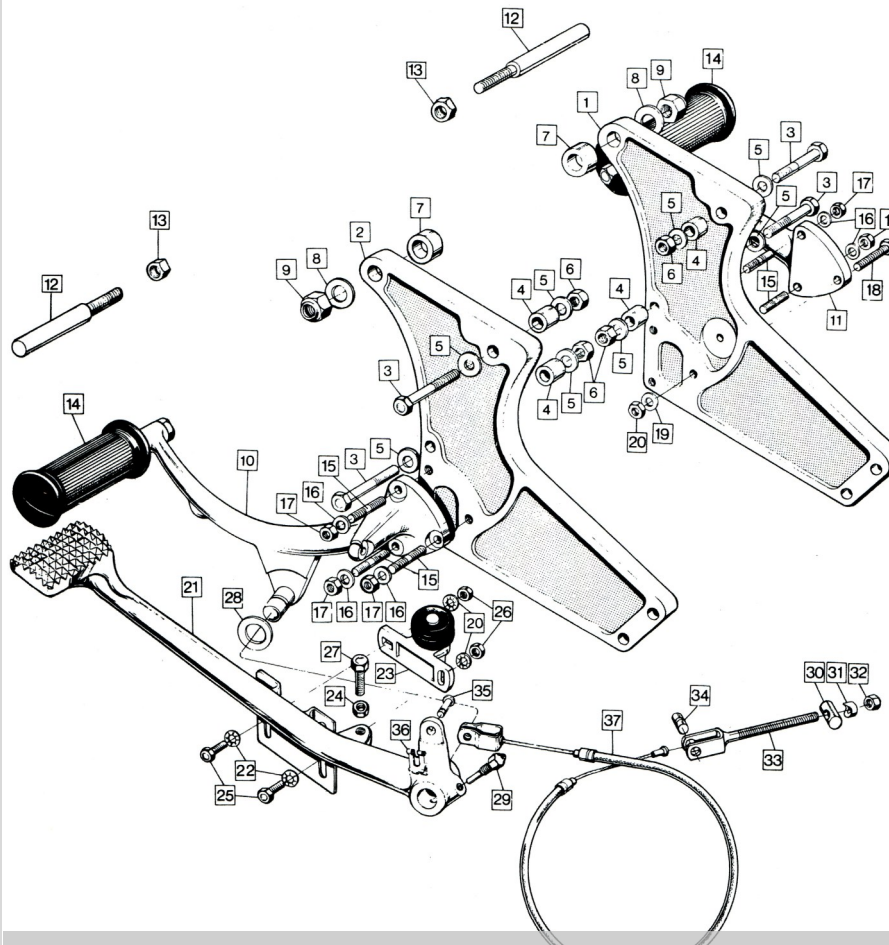








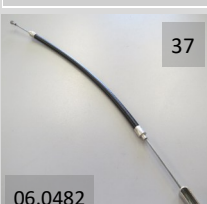



<p>1</p>  <p>06.1228</p>	<p>2</p> <p>This part is currently unavailable</p>  <p>06.0944</p>	<p>3</p>  <p>14.0235</p>	<p>4</p>  <p>06.0471</p>	<p>5</p>  <p>60.2322</p>
<p>6</p>  <p>14.0303</p>	 <p>Matt chrome versions of items 10, 11 & 21 as fitted to 1968 - 1970 bikes are available and shown on the next page.</p>			<p>12</p>  <p>06.2734</p>
<p>7</p>  <p>06.0472</p>				<p>13</p>  <p>14.0304</p>
<p>8</p>  <p>00.0008</p>				<p>14</p>  <p>06.7760</p>
<p>9</p>  <p>06.0438</p>				<p>15</p>  <p>06.3383</p>
<p>10</p>  <p>06.3118</p>				<p>18</p>  <p>06.1246</p>
<p>11</p>  <p>06.3117</p>	<p>17</p>  <p>14.0302</p>			



We are the only supplier of Commando & Dominator parts using the original factory drawings. Our products are mostly made in England and to original specification. We also offer Norton Rotary spares, factory service manuals and literature for **NORTON** and **TRIUMPH** motorcycles.

INSIST ON ANDOVER NORTON PARTS PACKAGED WITH OUR A.N.LOGO

NORTON COMMANDO RIDER FOOTPEGS & REAR BRAKE (to 1974)

<p>20</p>  <p>06.1247</p>	<p>21</p>  <p>06.1054</p>	<p>22</p>  <p>60.2391</p>	<p>23</p>  <p>99.1028</p>	<p>24</p>  <p>14.0402</p>
<p>25</p>  <p>06.0677</p>				<p>31</p>  <p>06.0781</p>
<p>26</p>  <p>06.7797</p>				<p>32</p>  <p>14.1902</p>
<p>27</p>  <p>06.0943</p>				<p>33</p>  <p>06.0796</p>
<p>28</p>  <p>02.1590</p>				<p>34</p>  <p>06.0806</p>
<p>29</p>  <p>06.0481</p>				<p>37</p>  <p>06.0482</p>
<p>30</p>  <p>04.0064</p>	<p>Matt Chrome</p> <p>10</p>  <p>06.0474</p>	<p>SEE WEBSITE FOR PRICES</p>		<p>36</p>  <p>06.0553</p>

Matt chrome versions of items 10, 11 & 21 as fitted to 1968 - 1970 bikes are available and shown below