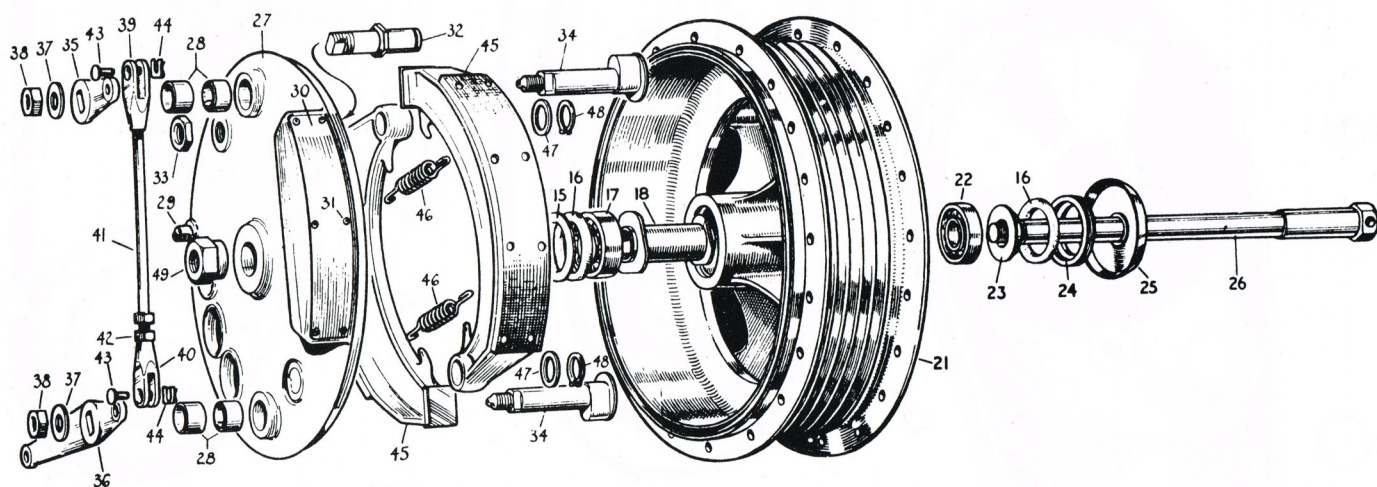




We are the only supplier of Commando & Dominator parts using the original factory drawings. Our products are mostly made in England and to original specification. We also offer Norton Rotary spares, factory service manuals and literature for **NORTON** and **TRIUMPH** motorcycles.

## INSIST ON ANDOVER NORTON PARTS PACKAGED WITH OUR A.N.LOGO

### NORTON COMMANDO FRONT WHEEL (drum brake 1968 to 1969)



Front Wheel (drum type) 1968 to 1969

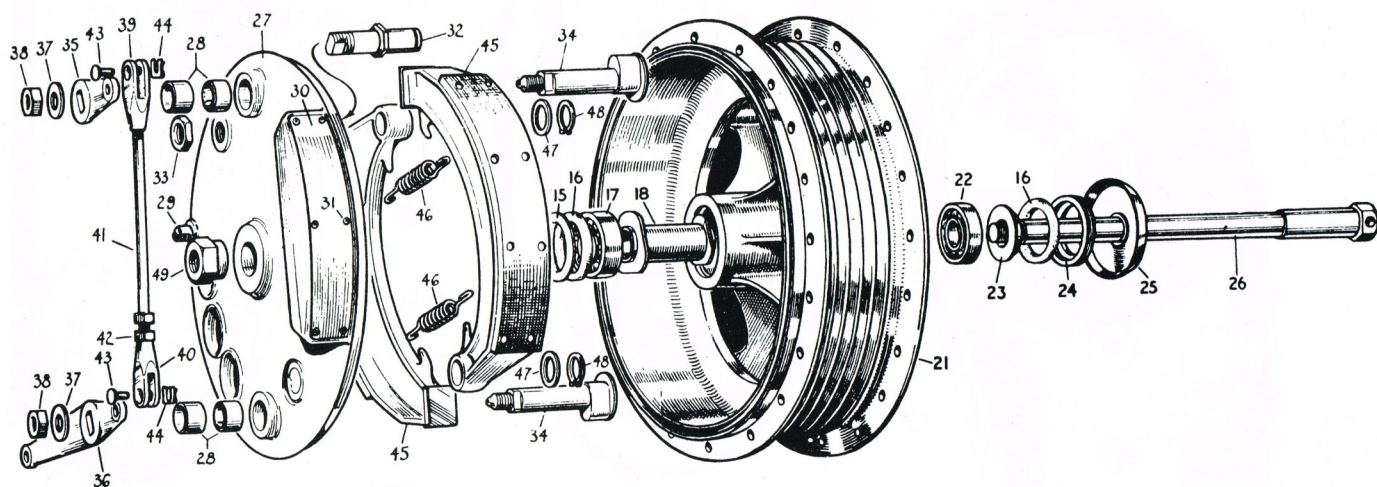




We are the only supplier of Commando & Dominator parts using the original factory drawings. Our products are mostly made in England and to original specification. We also offer Norton Rotary spares, factory service manuals and literature for **NORTON** and **TRIUMPH** motorcycles.

## INSIST ON ANDOVER NORTON PARTS PACKAGED WITH OUR A.N.LOGO

### NORTON COMMANDO FRONT WHEEL (drum brake 1968 to 1969)



Front Wheel (drum type) 1968 to 1969





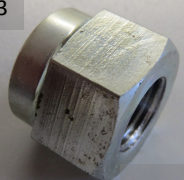






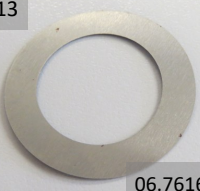








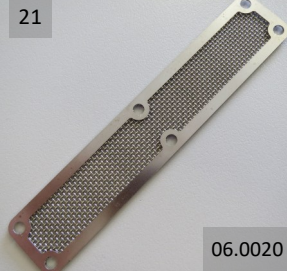

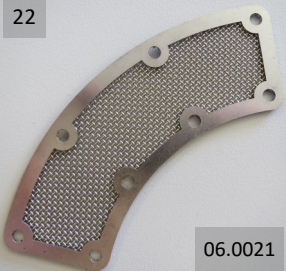
We are the only supplier of Commando & Dominator parts using the original factory drawings. Our products are mostly made in England and to original specification. We also offer Norton Rotary spares, factory service manuals and literature for **NORTON** and **TRIUMPH** motorcycles.

## INSIST ON ANDOVER NORTON PARTS PACKAGED WITH OUR A.N.LOGO

### NORTON COMMANDO FRONT WHEEL (drum brake 1970 to 1971)

FRONT WHEEL COMPLETE 1  
FRONT WHEEL BARE 2

Front Wheel (drum type) 1970 to 1971

3  06.0361		10  06.7748
4  06.0362		11  06.7752
5  04.0100		12  06.7614
6  06.0363		13  06.7616
7 Not Currently Available 06.0364	17  06.2526	18  02.1693
8  06.7674	19  14.0301	14  06.7712
9  06.7688	20  06.3280	15  06.2525
	21  06.0020	16  01.9512
	22  06.0021	



We are the only supplier of Commando & Dominator parts using the original factory drawings. Our products are mostly made in England and to original specification. We also offer Norton Rotary spares, factory service manuals and literature for **NORTON** and **TRIUMPH** motorcycles.

## INSIST ON ANDOVER NORTON PARTS PACKAGED WITH OUR A.N.LOGO

### NORTON COMMANDO FRONT WHEEL (drum brake 1970 to 1971)

FRONT WHEEL COMPLETE 1  
FRONT WHEEL BARE 2

Front Wheel (drum type) 1970 to 1971

23  06.0787	Exploded view diagram of the front wheel assembly with numbered callouts 1-44.	30  06.0015
24  06.0789		31  06.0018
25  06.0845		32  06.0019
26  06.0006		33  06.0025
27  06.0009		34  06.0027
28  06.0013	37  06.0552	35  60.2322
29  06.0014	38  06.0553	36  14.0303
	40  NM18551	
	41  06.7608	
	42  06.7750	



We are the only supplier of Commando & Dominator parts using the original factory drawings. Our products are mostly made in England and to original specification. We also offer Norton Rotary spares, factory service manuals and literature for **NORTON** and **TRIUMPH** motorcycles.

## INSIST ON ANDOVER NORTON PARTS PACKAGED WITH OUR A.N.LOGO

### NORTON COMMANDO FRONT WHEEL (drum brake 1972 to 1973)

Rim and Hub Assembly 1  
Brake Cover Plate Complete 18

Front Wheel (drum type) 1972 to 1973

2 06.0361  
3 06.0362  
4 04.0100  
5 06.0363  
6 Not Currently Available 06.1577  
7 06.7674  
8 06.7688  
9 06.7748  
10 06.7752  
11 06.7614  
12 06.7616  
13 06.7712  
14 06.2525  
15 06.2526  
16 06.2595  
17 14.0301  
18 06.3281  
19 06.3280  
20 06.0020  
21 06.0021



We are the only supplier of Commando & Dominator parts using the original factory drawings. Our products are mostly made in England and to original specification. We also offer Norton Rotary spares, factory service manuals and literature for **NORTON** and **TRIUMPH** motorcycles.

## INSIST ON ANDOVER NORTON PARTS PACKAGED WITH OUR A.N.LOGO

### NORTON COMMANDO FRONT WHEEL (drum brake 1972 to 1973)

Rim and Hub Assembly 1  
Brake Cover Plate Complete 18

Front Wheel (drum type) 1972 to 1973

22 06.0787

23 06.0789

24 06.0845

25 06.0006

26 06.3272

27 06.0013

28 06.0014

29 06.0015

30 06.0018

31 06.0019

32 06.0025

33 06.0027

34 60.2322

35 14.0303

36 06.0552

37 06.0553

38 NM18551

39 06.7608

40 06.7750

41 06.3273

42

43

44

45

46

47

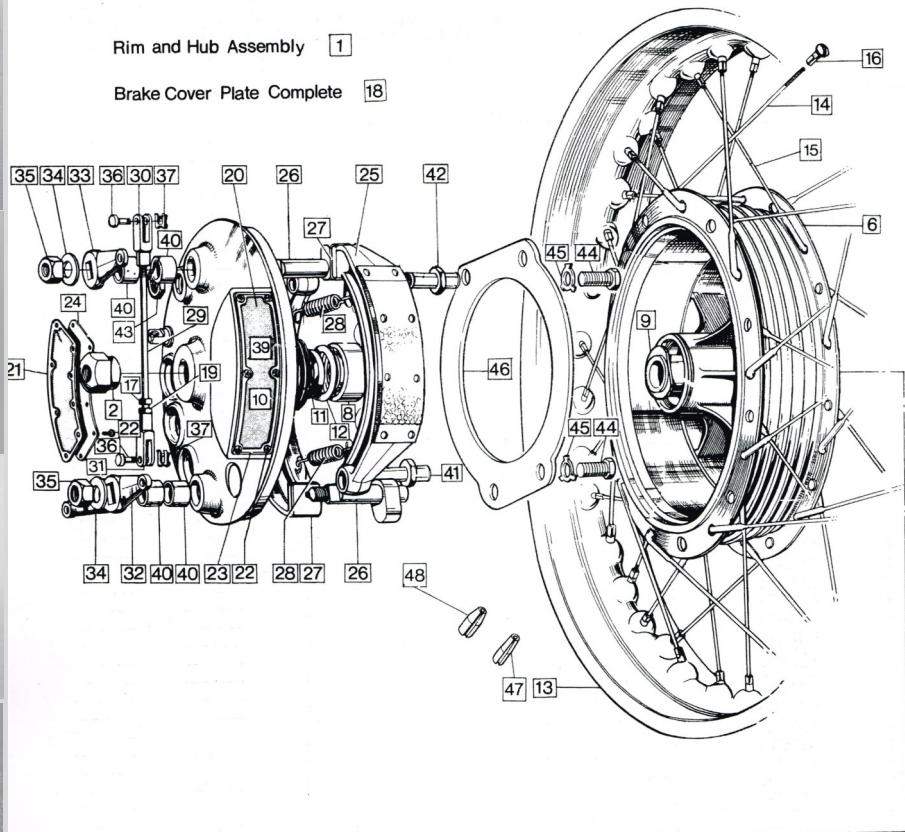
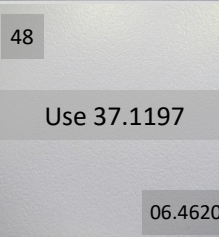
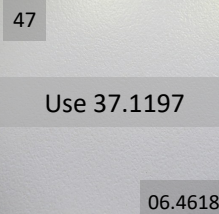
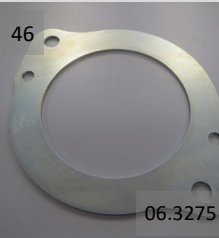
48



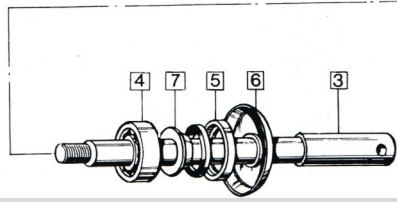
We are the only supplier of Commando & Dominator parts using the original factory drawings. Our products are mostly made in England and to original specification. We also offer Norton Rotary spares, factory service manuals and literature for **NORTON** and **TRIUMPH** motorcycles.

## INSIST ON ANDOVER NORTON PARTS PACKAGED WITH OUR A.N.LOGO

### NORTON COMMANDO FRONT WHEEL (drum brake 1972 to 1973)



Front Wheel (drum type) 1972 to 1973






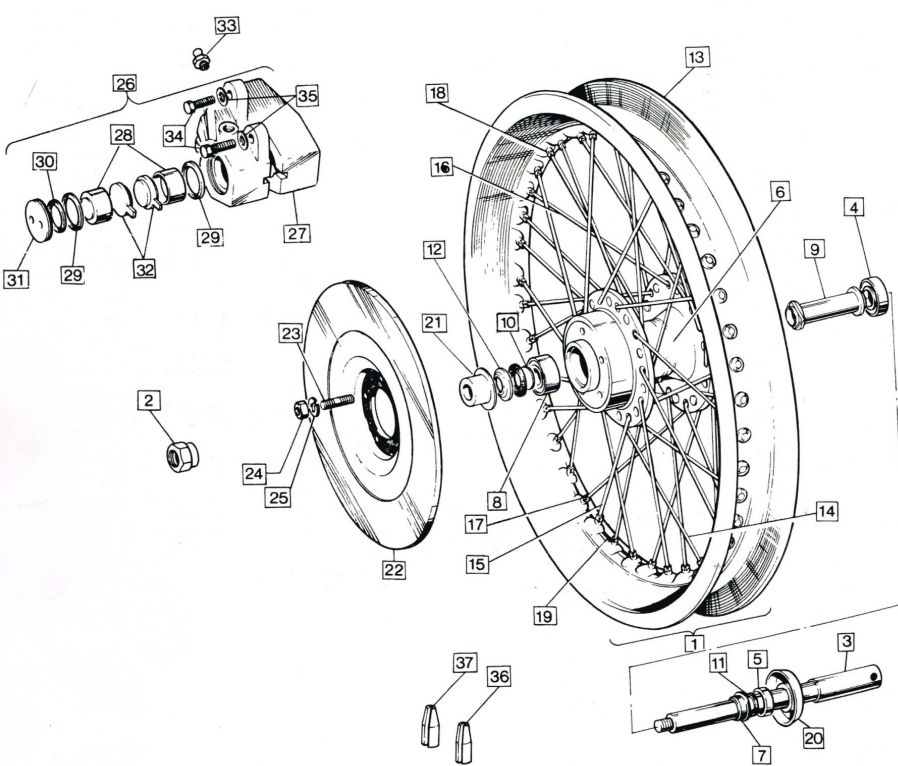


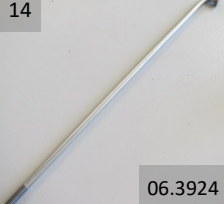

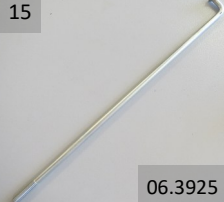













We are the only supplier of Commando & Dominator parts using the original factory drawings. Our products are mostly made in England and to original specification. We also offer Norton Rotary spares, factory service manuals and literature for **NORTON** and **TRIUMPH** motorcycles.

## INSIST ON ANDOVER NORTON PARTS PACKAGED WITH OUR A.N.LOGO

### NORTON COMMANDO FRONT WHEEL (disc type 1972 to 1974)

<p>2</p>  <p>06.0361</p>	<p>3</p>  <p>06.0362</p>	<p>4</p> <p>04.0100</p> 	<p>5</p>  <p>06.0363</p>	<p>6</p> <p>Currently not available</p> <p>06.2867</p>
<p>7</p>  <p>06.3919</p>	 <p>Front wheel (disc type) 1972 to 1974</p>			<p>13</p>  <p>06.1951</p>
<p>8</p>  <p>06.7688</p>				<p>14</p>  <p>06.3924</p>
<p>9</p>  <p>06.1955</p>				<p>15</p>  <p>06.3925</p>
<p>10</p>  <p>06.2071</p>				<p>16</p>  <p>06.3922</p>
<p>11</p>  <p>06.7614</p>				<p>19</p>  <p>06.3207</p>
<p>12</p>  <p>06.7751</p>	<p>22</p>  <p>06.1885</p>	<p>23</p>  <p>06.1960</p>	<p>24</p>  <p>14.0302</p>	<p>18</p>  <p>06.2595</p>

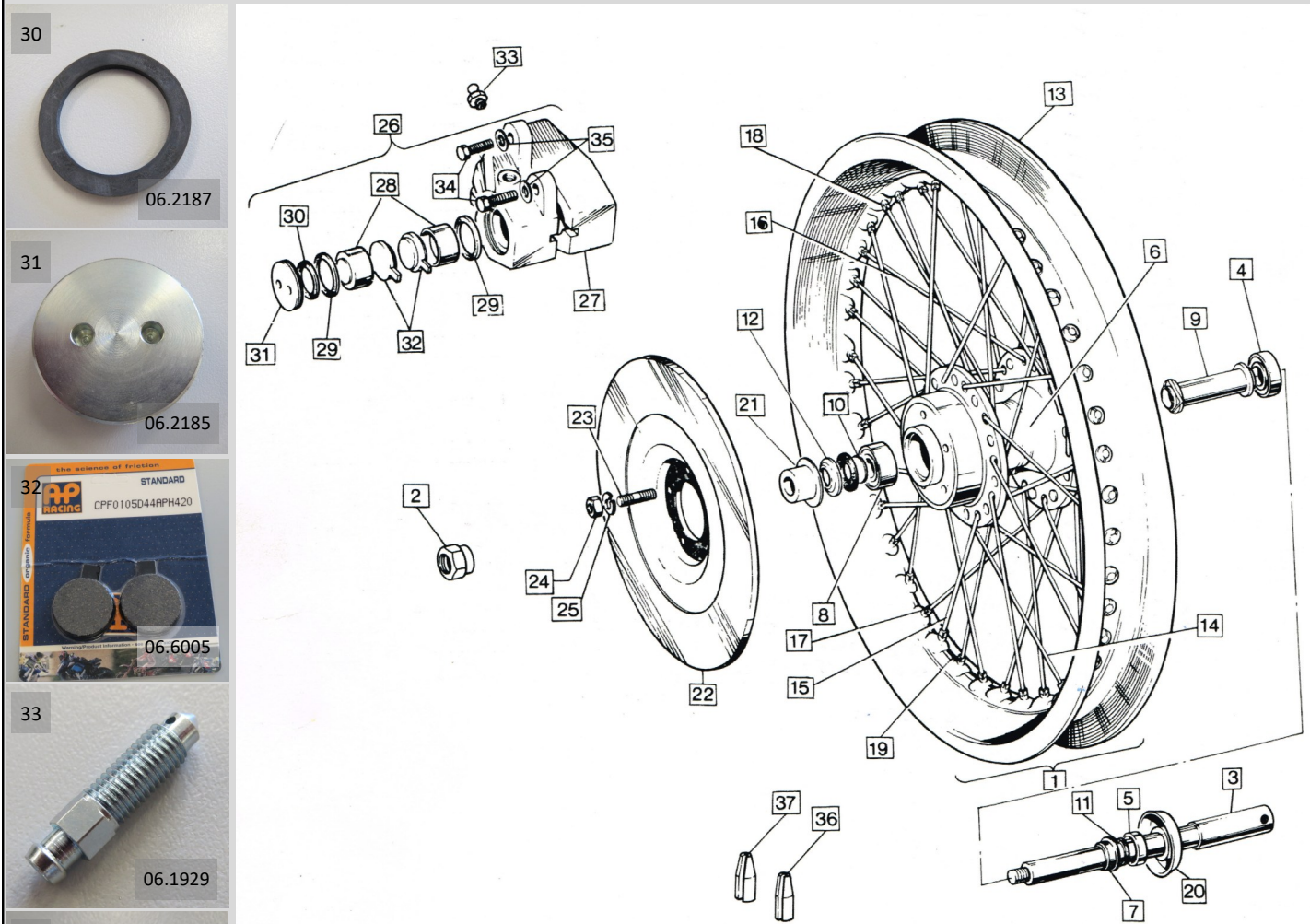




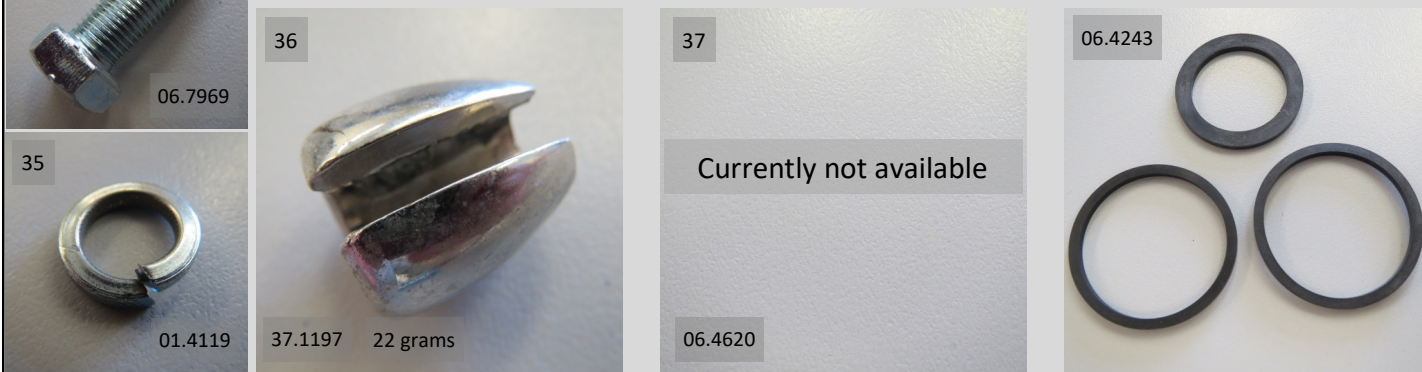
We are the only supplier of Commando & Dominator parts using the original factory drawings. Our products are mostly made in England and to original specification. We also offer Norton Rotary spares, factory service manuals and literature for **NORTON** and **TRIUMPH** motorcycles.

## INSIST ON ANDOVER NORTON PARTS PACKAGED WITH OUR A.N.LOGO

### NORTON COMMANDO FRONT WHEEL (disc type 1972 to 1974)



Front wheel (disc type) 1972 to 1974



Currently not available



We are the only supplier of Commando & Dominator parts using the original factory drawings. Our products are mostly made in England and to original specification. We also offer Norton Rotary spares, factory service manuals and literature for **NORTON** and **TRIUMPH** motorcycles.

## INSIST ON ANDOVER NORTON PARTS PACKAGED WITH OUR A.N.LOGO

### NORTON COMMANDO FRONT WHEEL (disc type 1975 850Mk3)

**36 Caliper Kit**

**Front wheel (disc type) 850 Mk3**

2  
Currently not available  
06.6024

3  
06.1951

4  
06.3924

5  
06.3925

6  
06.3922

7  
06.3923

8  
06.2595

9  
06.3207

10  
06.0361

11  
06.0362

12  
06.5542

13  
06.2090

14  
06.1955

15  
06.7688

16  
06.2448

17  
06.2071



We are the only supplier of Commando & Dominator parts using the original factory drawings. Our products are mostly made in England and to original specification. We also offer Norton Rotary spares, factory service manuals and literature for **NORTON** and **TRIUMPH** motorcycles.

## INSIST ON ANDOVER NORTON PARTS PACKAGED WITH OUR A.N.LOGO

### NORTON COMMANDO FRONT WHEEL (disc type 1975 850Mk3)

**36 Caliper Kit**

**Front wheel (disc type) 850 Mk3**

18		06.7614
19		06.6034
20		06.1885
21		06.1960
22		14.0302
23		60.2418
24		06.1926
25		06.1927
26		06.1896
27		06.1930
28		06.2187
29		06.2185
30		06.6005
31		06.1929
32		06.7969
33		01.4119
34		37.1197
35		Currently not available
36		06.4243
37		06.3012